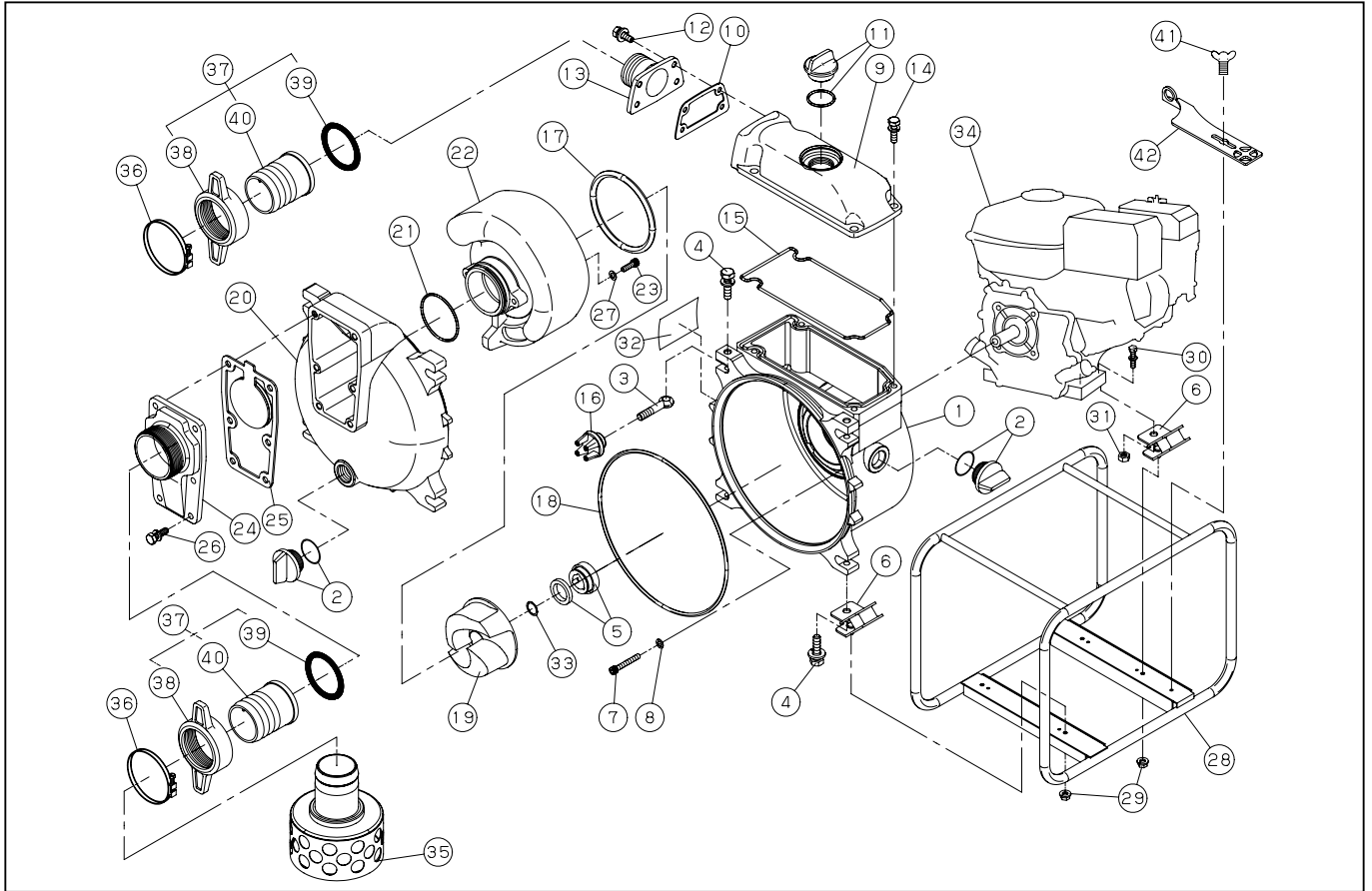


# KTH-50X

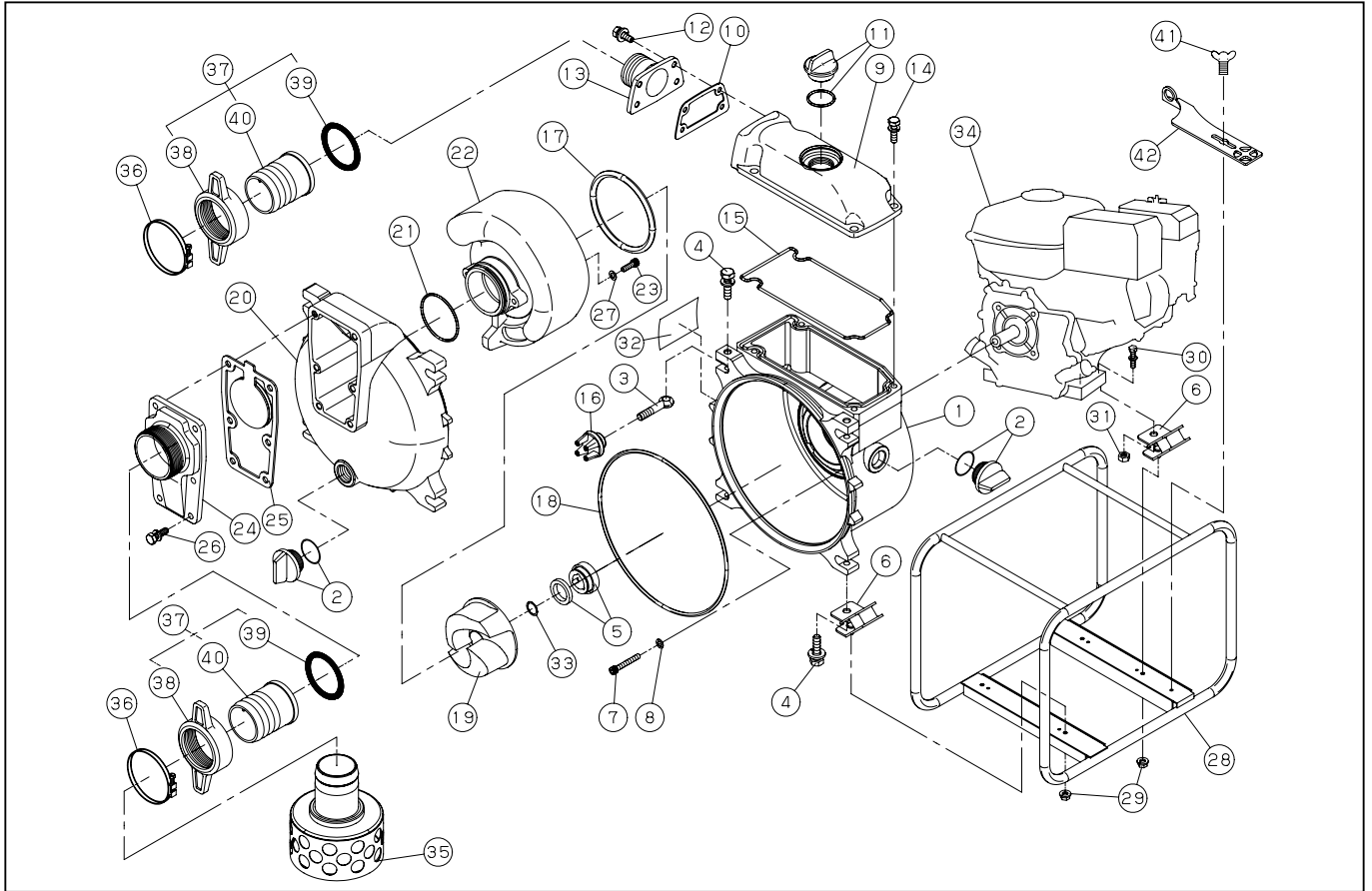


DWG No.012856906 MODEL:KTH-50X FORM:KTH-50X-BAB-0

| No. | PARTS CODE | PARTS NAME              | QTY | MATERIAL             | SIZE   | REMARKS |
|-----|------------|-------------------------|-----|----------------------|--------|---------|
| 1   | 011544604  | PUMP BODY               | 1   | ADC                  |        |         |
| 2   | 011807901  | 25A PLUG SET            | 2   |                      |        |         |
| 3   | 011558001  | COVER BOLT              | 4   | S35C                 |        |         |
| 4   | 743119083  | HEXAGON BOLT            | 4   | SWRM                 | M12X45 |         |
| 5   | 011515902  | MECHANICAL SEAL         | 1   | HJ-20(B)BSIC         |        |         |
| 6   | 011567901  | RUBBER MOUNT            | 4   | CR                   |        |         |
| 7   | 011651701  | SOCKET BOLT             | 4   | SCM                  | M8X60  |         |
| 8   | 011649302  | WASHER                  | 4   | ALUMINIUM A1100 PH14 | φ 8    |         |
| 9   | 011544502  | DELIVERY HOUSING        | 1   | ADC                  |        |         |
| 10  | 011549001  | DELIVERY FLANGE PACKING | 1   | CR                   |        |         |
| 11  | 011845001  | 32A PLUG SET            | 1   |                      |        |         |
| 12  | 743119046  | HEXAGON BOLT            | 4   | SWRM                 | M8X22  |         |
| 13  | 011584001  | DELIVERY FLANGE (PS)    | 1   | ADC                  |        |         |
| 14  | 743119063  | HEXAGON BOLT            | 4   | SWRM                 | M10X30 |         |
| 15  | 011554801  | HEAD PACKING            | 1   | NBR                  |        |         |
| 16  | 011559001  | KNOB                    | 4   |                      |        |         |
| 17  | 011557801  | CASING PACKING          | 1   | NBR                  |        |         |
| 18  | 011557901  | FRONT COVER PACKING     | 1   | NBR                  |        |         |
| 19  | 011544702  | IMPELLER                | 1   | HTFC                 |        |         |
| 20  | 011554501  | FRONT COVER             | 1   | ADC                  |        |         |
| 21  | 011567601  | O-RING                  | 1   | NBR                  |        |         |
| 22  | 011548902  | VOLUTE CASING           | 1   | FCD                  |        |         |
| 23  | 734505066  | HEXAGON SOCKET BOLT     | 2   | SUS                  | M8X25  |         |
| 24  | 011583901  | SUCTION FLANGE          | 1   | ADC                  |        |         |
| 25  | 011578001  | CHECK VALVE PACKING     | 1   | NBR                  |        |         |
| 26  | 743119061  | HEXAGON BOLT            | 6   | SWRM                 | M10X25 |         |
| 27  | 854255008  | SEAL WASHER             | 2   |                      | φ 8    |         |
| 28  | 011752402  | BASE SET                | 1   |                      |        |         |
| 29  | 842319008  | SPRING NUT              | 4   | SWRM                 | M8     |         |
| 30  | 743119051  | HEXAGON BOLT            | 2   | SWRM                 | M8X35  |         |

◆ Bare engine can not be supplied

# KTH-50X



DWG No.012856906 MODEL:KTH-50X FORM:KTH-50X-BAB-0

| No. | PARTS CODE | PARTS NAME                | QTY | MATERIAL          | SIZE     | REMARKS |
|-----|------------|---------------------------|-----|-------------------|----------|---------|
| 31  | 838719008  | HEXAGON NUT               | 2   |                   | M8       |         |
| 32  | 011585802  | NAME PLATE                | 1   |                   |          |         |
| 33  | 011049102  | IMPELLER ADJUSTING WASHER | 3   | BSP               |          |         |
| 34  | 011430302  | ENGINE(WITH ALART)        | 1   | HONDA GX160U1WKT2 | CE · USA |         |
| 35  | 011097703  | STRAINER                  | 1   | SPC               | 50M      |         |
| 36  | 940407060  | HOSE BAND                 | 3   |                   | 2 "      |         |
| 37  | 011702602  | COUPLING SET              | 2   | ABS               |          |         |
| 38  | 011339002  | COUPLING                  | 2   | ABS               |          |         |
| 39  | 011339101  | COUPLING PACKING          | 2   | NBR               |          |         |
| 40  | 011035605  | HOSE NIPPLE               | 2   | ABS               |          |         |
| 41  | 741305153  | WING BOLT                 | 1   | SUS               | M8X15    |         |
| 42  | 011577802  | TOOL                      | 1   | SPC               |          |         |
|     | 011585702  | PACKING CASE              | 1   |                   | KW6      |         |
|     | 011591102  | OPERATION MANUAL          | 1   |                   |          |         |
|     | 011471806  | CE MARK LABEL             | 1   |                   |          |         |
|     | 011471302  | CAUTION LABEL             | 1   |                   |          |         |
|     | 011473401  | ENGINE CAUTION LABEL A    | 1   |                   |          |         |
|     | 011473501  | ENGINE CAUTION LABEL B    | 1   |                   |          |         |
|     | 011482009  | DECLARATION               | 1   |                   |          |         |
|     | 011641201  | EU LABEL(106)             | 1   |                   |          |         |

◆ Bare engine can not be supplied